



SM39 VOCAL PERFORMANCE HEADSET MICROPHONE

OVERVIEW

For performers who demand the freedom to move boldly and deliver superior sound, the SM39 Vocal Performance Headset Microphone meets every challenge. Its lightweight, low-profile design delivers legendary comfort and unbeatable vocal clarity – even during the most dynamic performances. Whether commanding a massive stage or captivating an intimate audience, the SM39 ensures flawless vocal precision. Engineered for those who need both mobility and consistent sound, this headset mic is the ultimate tool for unstoppable performance.

FEATURES

- **Axient Digital Compatibility:** Integrates seamlessly with Axient Digital and all Shure Wireless for reliable performance during every show.
- **Secure, Low-Profile Fit:** Keeps the microphone securely in place with an adjustable, flexible boom arm, ensuring perfect mic placement without restricting movement.
- **Superior Sound Quality:** Delivers clear vocals with a cardioid polar pattern and over 20 dB of off axis rejection, guaranteeing exceptional audio even in the loudest environments.
- **Ergonomic Design for Lasting Comfort:** Contours naturally to the ear and jawline, providing a low-profile fit that performers can comfortably wear for extended periods.
- **Performance in Any Environment:** Includes indoor and outdoor windscreens to guarantee clear sound anytime, anywhere.
- **Durable and Sweat Resistant:** Features a hydrophobic coating that protects against sweat, maintaining high-quality sound during intense performances.



SM39
Vocal Performance Headset Microphone

SPECIFICATIONS

All information and specifications are subject to change.

| | |
|---|--|
| Type | Electret Condenser |
| Polar Pattern | Cardioid |
| Frequency Response | 70 Hz to 20 kHz |
| Output Impedance (at 1 kHz, using RPM400 Preampfier) | 95 Ω |
| Sensitivity | SM39-TQG: -47 dBV/Pa SM39-LEMO: -40 dBV/Pa |
| Maximum SPL | SM39-TQG: 144 dB SPL SM39-LEMO: 134 dB SPL |
| Signal-to-Noise Ratio | SM39-TQG: 71 dB SM39-LEMO: 72 dB |
| Dynamic Range | SM39-TQG: 121 dB SM39-LEMO: 112 dB |
| Self Noise | SM39-TQG: -118 dBV-A SM39-LEMO: -112 dBV-A |
| Equivalent Output Noise | SM39-TQG: 23 dB SPL-A SM39-LEMO: 22 dB SPL-A |
| Polarity | Positive pressure on diaphragm produces positive voltage on pin 3 with respect to pin 1. |
| Cable | 1.5 m (59 in.) |
| Connector | TA4F or LEMO |
| Power Requirements | +5 V DC (Recommended operating voltage provided at microphone connector on pin 2 relative to pin 1.) |
| Net Weight | SM39-TQG: 55g (1.95 oz) SM39-LEMO: 54g (1.91 oz) |

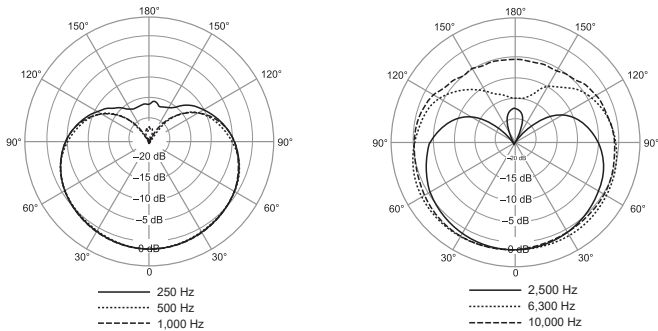


SM39 Vocal Performance Headset Microphone
Includes 1 outdoor windscreen, 1 indoor windscreen, and 1 collar clip.

AVAILABLE MODELS

| | |
|------------------|---|
| SM39-TQG | SM39 Vocal Performance Headset Microphone, TA4F Connector (Black) |
| SM39-LEMO | SM39 Vocal Performance Headset Microphone, LEMO Connector (Black) |

POLAR PATTERN



FREQUENCY RESPONSE

