

SHURE

NEXADYNE™ 2 KICK DRUM MICROPHONE WITH REVONIC™ TECHNOLOGY

OVERVIEW

The Nexadyne 2 Kick Drum Microphone is a supercardioid dynamic microphone for professional performance. The Nexadyne 2 is designed specifically to maximize the frequency range of the kick drum and other lower-frequency instruments from patented Shure Revonic dual-engine transducer technology, with two precisely calibrated transducers working together to achieve optimal performance. The result is a high-performing microphone that combines state-of-the-art acoustic signal processing, exceptional supercardioid polar pattern linearity, and noise reduction. Built with the consistency, durability, and performance that only Shure can provide, the Nexadyne 2 ships with a discreet black finish and included zipper pouch.

FEATURES

- Acoustic signal processing of the dual engine design enables exceptional signal clarity, reducing the need for typical corrective EQ
- Industry-leading Shure reliability standards provides innovation with confidence
- Dent-resistant hardened grille
- XLR connection with black finish



Nexadyne™ 2
Kick Drum Microphone

SPECIFICATIONS

(SUBJECT TO CHANGE)

Type	Dynamic (moving coil) with secondary vibration-cancelling dynamic transducer
Polar Pattern	Supercardioid
Frequency Response	20 Hz–16 kHz
Output Impedance @ 1 kHz	225 Ω
Sensitivity <i>Open circuit voltage @ 1 kHz, typical</i>	-66.0 dBV/Pa (0.5 mV/Pa) 1 Pa = 94 dB SPL
Polarity	Positive pressure on diaphragm produces positive voltage on pin 2 with respect to pin 3
Weight	535 g (1.18 lbs)
Connector	Three-pin professional audio (XLR), male
Housing	Die-cast zinc with black paint

AVAILABLE MODELS

NXN2	Nexadyne Supercardioid Dynamic Kick Drum Microphone
-------------	---

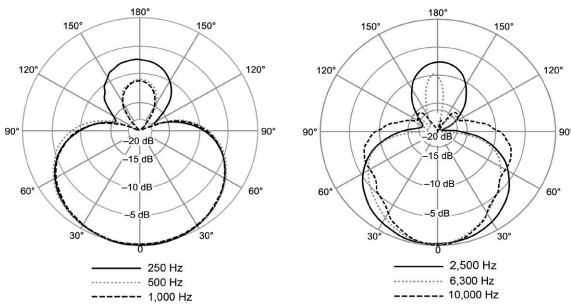
FURNISHED ACCESSORIES

95D2313	Zippered bag
31A1856	5/8" to 3/8" brass thread adapter

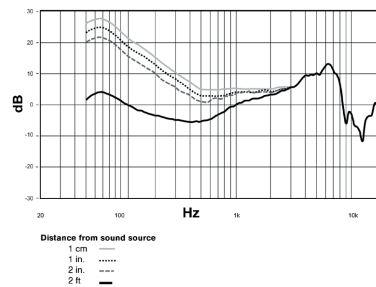
REPLACEMENT PARTS

RPM284	Replacement Grille for Nexadyne 2
---------------	-----------------------------------

POLAR PATTERN



FREQUENCY RESPONSE



SHURE

NEXADYNE™ 5 GUITAR AMP MICROPHONE WITH REVONIC™ TECHNOLOGY

OVERVIEW

The Nexadyne 5 Guitar Amp Microphone is a supercardioid dynamic microphone for professional performance. The Nexadyne 5 is designed specifically to smoothly reproduce the frequency range of signature amplified guitar tones through its patented Shure Revonic dual-engine transducer technology. With two precisely calibrated transducers working together to achieve optimal performance, this high-performing microphone combines state-of-the-art acoustic signal processing, exceptional supercardioid polar pattern linearity, and noise reduction. Built with the consistency, durability, and performance that only Shure can provide, the Nexadyne 5 ships with a discreet black finish, and included mic clip and zipper pouch.

FEATURES

- Acoustic signal processing of the dual engine design enables exceptional signal clarity, reducing the need for typical corrective EQ
- Industry-leading Shure reliability standards provides innovation with confidence
- Dent-resistant hardened grille
- XLR connection with black finish

SPECIFICATIONS

(SUBJECT TO CHANGE)

Type	Dynamic (moving coil) with secondary vibration-cancelling dynamic transducer
Polar Pattern	Supercardioid
Frequency Response	50 Hz–16 kHz
Output Impedance @ 1 kHz	335 Ω
Sensitivity Open circuit voltage @ 1 kHz, typical	-61.0 dBV/Pa (0.9 mV/Pa) 1 Pa = 94 dB SPL
Polarity	Positive pressure on diaphragm produces positive voltage on pin 2 with respect to pin 3
Weight	295 g (0.65 lbs.)
Connector	Three-pin professional audio (XLR), male
Housing	Die-cast aluminum with black paint

AVAILABLE MODELS

NXN5	Nexadyne Supercardioid Dynamic Guitar Amp Microphone
------	--

FURNISHED ACCESSORIES

A25E	Microphone clip
95D2313	Zippered bag
31A1856	5/8" to 3/8" brass thread adapter

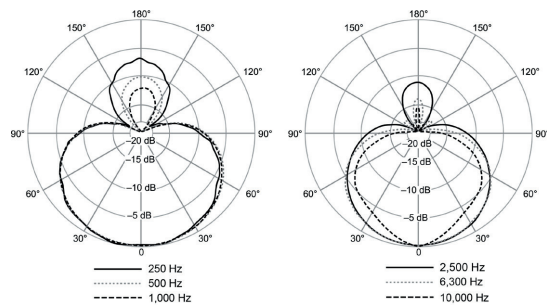
REPLACEMENT PARTS

RPM285	Replacement Grille for Nexadyne 5
--------	-----------------------------------

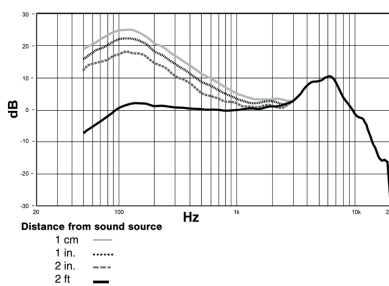


Nexadyne™ 5
Guitar Amp Microphone

POLAR PATTERN



FREQUENCY RESPONSE



SHURE

NEXADYNE™ 6 TOM/SNARE DRUM MICROPHONE WITH REVONIC™ TECHNOLOGY

OVERVIEW

The Nexadyne 6 Tom/Snare Microphone is a supercardioid dynamic microphone for professional performance. The Nexadyne 6 is designed specifically to minimize bleed and isolate the full sound of tom and snare drums via patented Shure Revonic dualengine transducer technology. With two precisely calibrated transducers working together to achieve optimal performance, this high-performing microphone combines state-of-the-art acoustic signal processing, exceptional supercardioid polar pattern linearity, and noise reduction. Built with the consistency, durability, and performance that only Shure can provide, the Nexadyne 6 ships with a discreet black finish and included AD6 Drum Mount and zipper pouch.

FEATURES

- Acoustic signal processing of the dual engine design enables exceptional signal clarity, reducing the need for typical corrective EQ
- Industry-leading Shure reliability standards provides innovation with confidence
- Dent-resistant hardened grille
- XLR connection with black finish

SPECIFICATIONS

(SUBJECT TO CHANGE)

Type	Dynamic (moving coil) with secondary vibration-cancelling dynamic transducer
Polar Pattern	Supercardioid
Frequency Response	50 Hz–16 kHz
Output Impedance @ 1 kHz	335 Ω
Sensitivity Open circuit voltage @ 1 kHz, typical	-61.0 dBV/Pa (0.9 mV/Pa) 1 Pa = 94 dB SPL
Polarity	Positive pressure on diaphragm produces positive voltage on pin 2 with respect to pin 3
Weight	245 g (0.54 lbs.)
Connector	Three-pin professional audio (XLR), male
Housing	Die-cast zinc with black paint

AVAILABLE MODELS

NXN6	Supercardioid Dynamic Microphone with A6D Drum Mount
NXN6 3-Pack	Set of Three Supercardioid Dynamic Microphones with A6D Drum Mounts

FURNISHED ACCESSORIES

A6D	NXN XLR instrument microphone drum mount
95D2313	Zippered bag

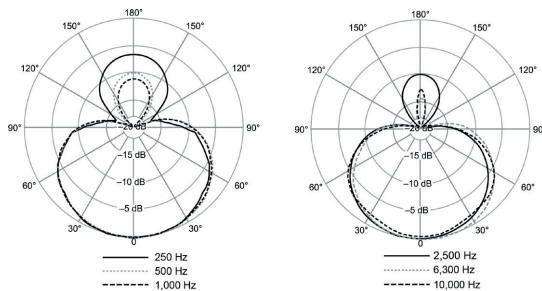
REPLACEMENT PARTS

RPM286	Replacement Grille for Nexadyne 6
---------------	-----------------------------------



NXN6
Nexadyne™ 6
Tom/ Snare Drum Microphone

POLAR PATTERN



FREQUENCY RESPONSE

