

DALI PHANTOM

Don't look - just listen



DALI PHANTOM E
DALI PHANTOM K
DALI PHANTOM H
DALI PHANTOM M
DALI PHANTOM S



IN ADMIRATION OF MUSIC



The enjoyment of great sound is the cornerstone of everything we do. Our mission is to bring a high quality audio experience to our customers regardless of the circumstances.

We understand that finding space in your home for traditional boxed loudspeakers is not always possible, and you may require your speakers to be discreetly hidden away in the ceiling or walls.

With DALI's custom install range of loudspeakers, the DALI PHANTOM Series, we now offer more options than ever before to have the traditional DALI high quality sound performance without having to give up valuable living space.



Content



6

PHANTOM E



6

PHANTOM K



9

PHANTOM H



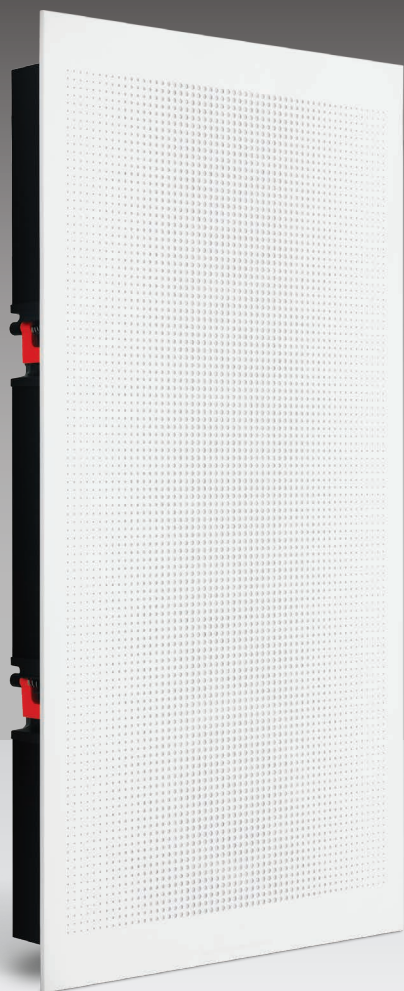
12

PHANTOM M



15

PHANTOM S



The magnet mounted, floating front grille forms the visual presence of the PHANTOM series speaker. The discreet, simple but modern design is both non-intrusive and pleasing to the eye.



All DALI PHANTOM models have spring-loaded terminals placed directly on the crossover for the shortest possible signal path and long-lasting connections.



PHANTOM S: The woofer magnet penetrates the back of the cabinet allowing for the long-throw 8" woofer. A soft rubber gasket surrounds the magnet and keeps the cabinet completely airtight, whilst keeping the construction strong and resonant free.



DALI Hybrid tweeter

Select models feature the DALI trademark hybrid tweeter, which offers a ribbon tweeter paired with a dome tweeter. This gives the ultimate in wide dispersion!



DALI Soft dome tweeter

All DALI PHANTOM speakers feature a soft dome tweeter optimised for wide dispersion and a smooth, detailed high-frequency reproduction.



DALI Woofer

DALI PHANTOM woofers all have powerful magnet systems for low distortion and lots of punch. Cone materials are either the distinctive DALI wood fibre or moisture-resistant polypropylene.



DALI SMC Technology

SMC (Soft Magnetic Compound) used in the S-series and M-series, has the unique ability of delivering very high magnetic conductivity and very low electrical conductivity. This dramatically lowers the effects of hysteresis and eddy currents around the pole piece, whilst at the same time delivers all the wanted qualities of a good speaker magnet system.

The result is a significant lowering of the effects of mechanical distortion in the reproduced sound.

TIPS! Sound and placement



**DALI Wide Dispersion
design principle**

The DALI PHANTOM range of install speakers offer a variety of options and are the ultimate solution for a concealed sound source. With “invisible” speakers, listeners and viewers are able to focus on the music and the on-screen action.

When properly fitted the audio performance of DALI install speakers fully match that of a traditional floor standing or shelf speaker.

SOUND TIPS

- DALI install speakers benefit from DALI’s Wide Dispersion design principle, providing a well-balanced sound and a uniform sound field throughout the listening area.
- DALI’s in-ceiling solutions allow you to spread sound evenly in areas that are inaccessible with conventional box speakers.
- Once installed, in-wall speakers are even shallower than most flat panel screens.
- In-install speakers offer the same speaker configurations as traditional box speakers, including 2.0, 2.1, 5.1, 7.1.

PLACEMENT TIPS

- Make sure there is sufficient space behind the wall/ceiling surface to accept the full depth of the install speaker.
- Bear in mind that cut-out dimensions for the mounting hole are smaller than the speaker itself, so measure twice and cut once.
- If your wall has insufficient internal space for in-wall speakers, you can build a false wall using studs and gypsum board [or similar construction panels.] This solution also gives you the option of flush-mounting your flatscreen TV in the false wall for a complete, discreet system.
- Please take special care with cabling. If long cable runs are required (in excess of 15 metres), use cables with sufficient cross section of minimum 1.5 sq. mm (maximum AWG 16).
- For the optimal listening experience, always mount the install speakers well away from room corners to maintain a good stereo image to avoid excess bass.

DALI PHANTOM E



The DALI PHANTOM E-series is designed for optimum in-ceiling use, but can also be mounted for in-wall solutions.

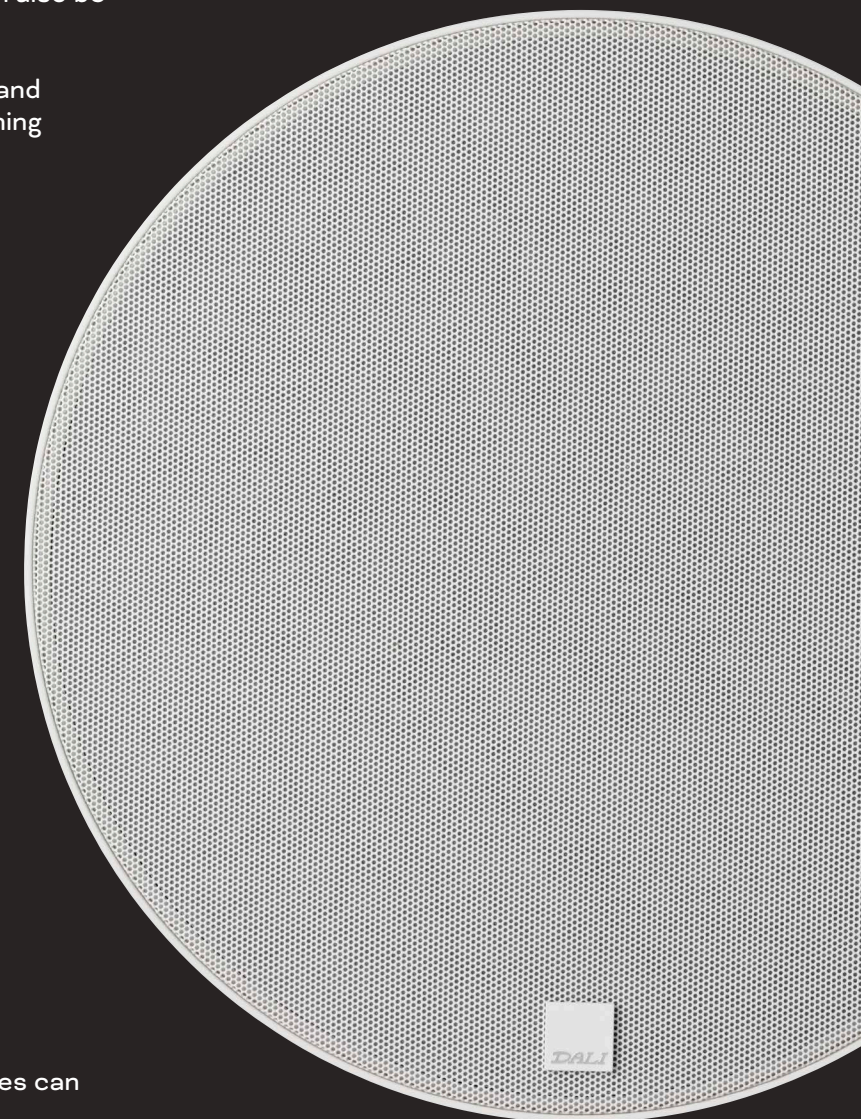
The compact sized construction and the easy-to-use compass positioning system, makes placing the speaker for the optimum sound experience extremely simple.

Two discreet switches offer audio adjustment options to ensure that the listener gets the most from the speakers, even in rooms that are traditionally difficult to handle acoustically.

The tilted woofer and the slightly off-centre soft dome tweeter blend gracefully and produce a richly detailed and crisp soundstage.

The polypropylene cone is more resilient towards humidity than the traditional DALI cone material – wood fibre, making the PHANTOM E-series flexible in regards to placements in covered outdoor areas and bathrooms.

Optionally, the PHANTOM E-series can be fitted with a square front grill.



DALI PHANTOM E-80



DALI PHANTOM E-80

With the PHANTOM E-80, it's all about big sound. Drawing on every part of its 8" woofer, it will fill even the largest rooms with sound.

This makes them the perfect to use as the main loudspeakers in a living room, for either a stereo setup or a surround system.



DALI PHANTOM E-60

This model is the perfect all-around loudspeaker. Easy to place, but big enough to deliver a full and complete audio experience.

Use it for a stereo setup in a kitchen or family room, or as side/rear speakers to complete a surround setup in larger rooms.



DALI PHANTOM E-60 S

The PHANTOM E-60 S is the first install stereo speaker by DALI. It features two 20 mm tweeters and is perfect for small to medium-sized rooms or as height speakers in a multi-channel setup.

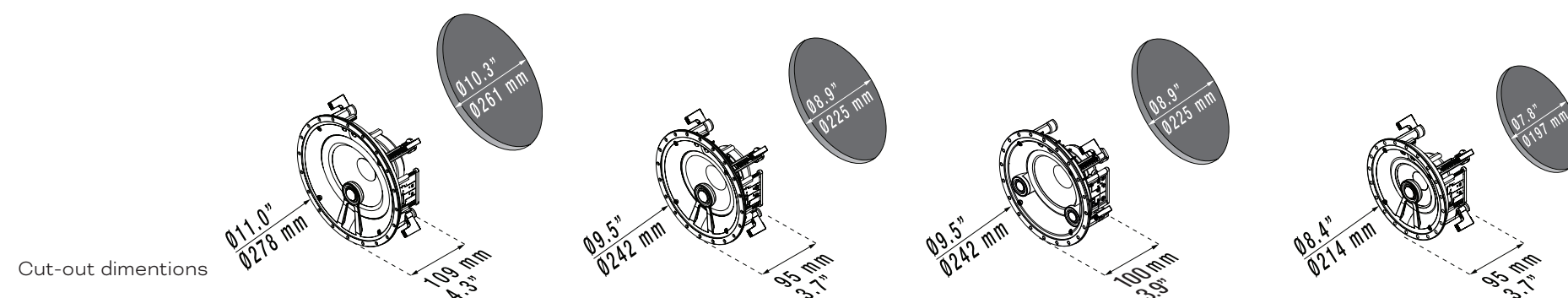
The E-60 S can be tuned to the room's acoustics, resulting in a fantastic integration and a high level of details.



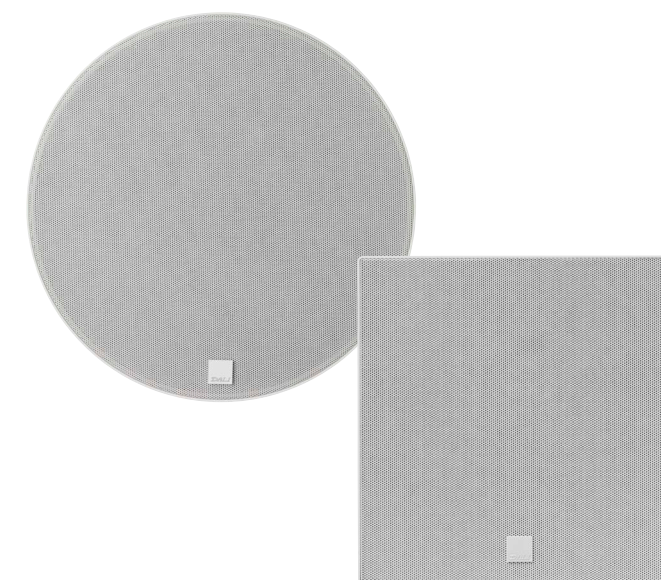
DALI PHANTOM E-50

This compact in-ceiling loudspeaker delivers an incredibly clear and well-defined audio experience, and despite its size, will impress with the level of bass it can produce.

The size makes it perfect for a stereo setup in a small room, or as rear loudspeakers in a surround setup.



DALI PHANTOM	E-80	E-60	E-60 S	E-50
Frequency Range +/- 3 dB	49 - 25,000 Hz	52 - 25,000 Hz	57 - 25,000 Hz	58 - 25,000 Hz
Sensitivity (2.83V/1m)	89.5 dB	88 dB	90 dB	87 dB
Nominal Impedance	6 ohm	8 ohm	8 + 8 ohm	8 ohm
Maximum SPL	107 dB	105 dB	105 dB	104 dB
Crossover Frequency	3,200 Hz	3,300 Hz	2,600 Hz	3,600 Hz
Crossover Principle	2-way	2-way	2-way	2-way
Recommended Amplifier Power	30 - 150	30 - 120	2 x 20 - 80	40 - 120
High Frequency Driver	1 x 28 mm soft dome	1 x 28 mm soft dome	2 x 20 mm soft dome	1 x 28 mm soft dome
Low Frequency Driver/Mid-range Driver(s)	1 x 8"	1 x 6½"	1 x 6½"	1 x 5¼"
Enclosure type	Open back	Open back	Open back	Open back
Connection Input	Single wire	Single wire	2 x Single wire	Single wire
Functions	Normal/HF Tilt, Focus/Distributed	Normal/HF Tilt, Focus/Distributed	Normal/HF Tilt Focus/Distributed	Normal/HF Tilt, Focus/Distributed
Dimensions (with grille) (H x W x D)	Ø 29.4 x 10.9 cm Ø 11.6 x 4.3 inches	Ø 25.8 x 9.95 cm Ø 10.2 x 3.9 inches	Ø 25.0 x 10 cm Ø 9.8 x 3.9 inches	Ø 23.0 x 9.95 cm Ø 9.1 x 3.9 inches
Cut-out Dimensions (H x W X D)	Ø 26.1 cm Ø 10.3 inches	Ø 22.5 cm Ø 10.3 inches	Ø 22.5 cm Ø 10.3 inches	Ø 19.9 cm Ø 7.83 inches
Recommended Volume	10 - 100	5 - 50	5 - 35	5 - 35
Weight	2.36/5.15	1.92/4.25	1.92/4.25	1.58/3.50
Accessories	Manual, Cut-out template, Logo badge	Manual, Cut-out template, Logo badge	Manual, Cut-out template, Logo badge	Manual, Cut-out template, Logo badge
Optional Accessories	Square Grille Back-box	Square Grille Back-box	Square Grille Back-box	Square Grille Back-box



Square or round grille

Have it your way: all PHANTOM E-series speakers come with a round grille as standard, but if you prefer can optionally be fitted with a square grille. Both come in a fully paintable matte white.

DALI PHANTOM K



DALI PHANTOM K-60

DALI PHANTOM K-80

The K-series builds upon the successful design of the E-series in-ceiling speakers and offers a step up in terms of overall performance.

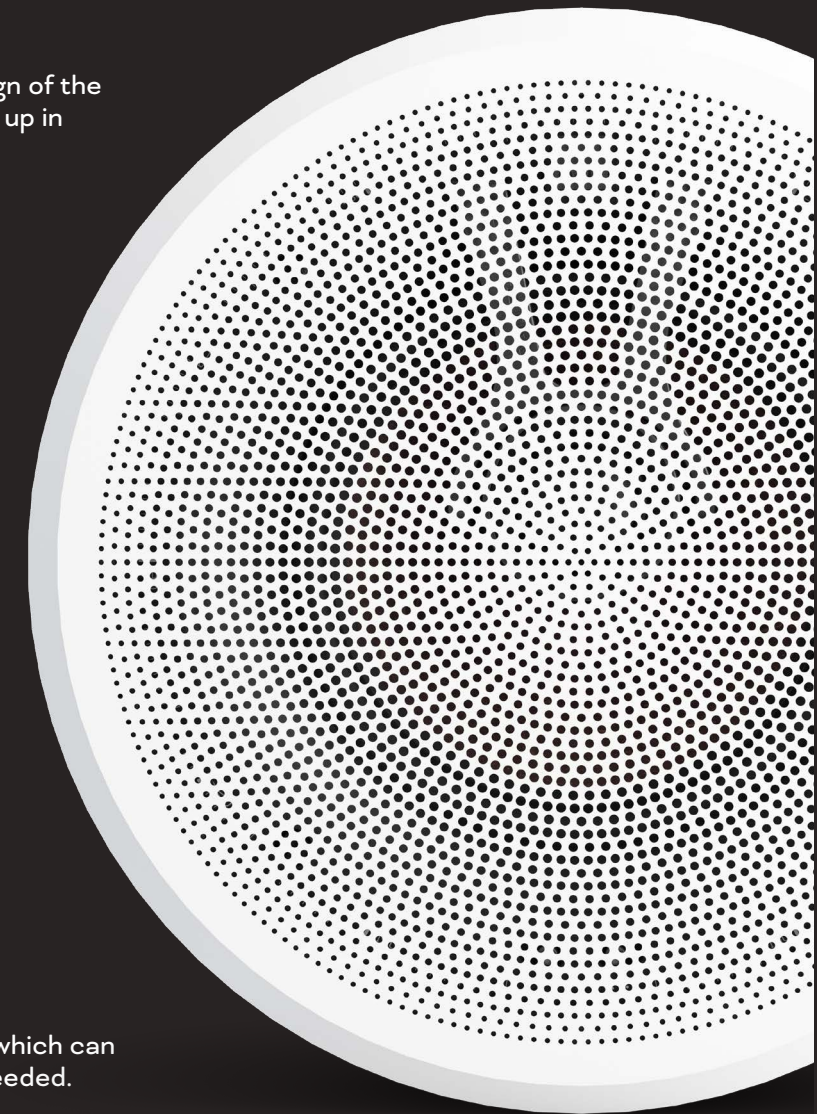
Both models in the series use the signature DALI wood fibre cones, making them the first in our in-ceiling offering to do so.

With the use of wood fibre cones, the K series perfectly matches with all other DALI loudspeakers, making it the perfect choice for an in-ceiling speaker in a DALI home cinema set-up.

An improved magnet motor system for the woofer also ensures better low end reproduction, making them capable of filling even larger rooms with sound.

The angled driver and adjustable tweeter enable the listener to fine tune the sound to perfectly suit the listening position, whether the speakers are utilised in a two channel system for music, or a multi channel set-up for movies. Therefore, allowing much more flexibility with the positioning of the speakers in the ceiling.

We have also designed an optional back-can which can be retrofitted through the mounting hole, if needed.



DALI PHANTOM K-60 GRILL



DALI PHANTOM K-80

With its powerful 8" mid-bass woofer, the DALI PHANTOM K-80 brings room filling sound to even the largest of rooms..

Along with the K-60, it features multiple options for adjusting its sound – only with more low-end power on tap.

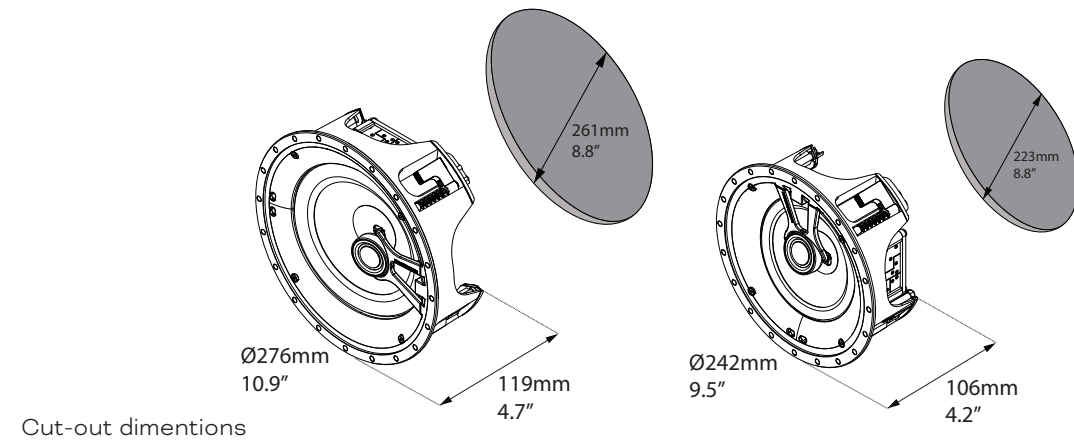


DALI PHANTOM K-60

A medium-sized speaker sporting the well-known DALI wood fibre woofer. The K-60 will fit almost anywhere, while still delivering uperb sound.

A very flexible design, with enough options for adjustment to make it sing in any situation.





DALI PHANTOM	K-80	K-60
Frequency Range +/- 3 dB	48 - 25,000 Hz	51 - 25,000 Hz
Sensitivity (2.83V/1m)	87 dB	87 dB
Nominal Impedance	6 ohm	6 ohm
Maximum SPL	107 dB	104 dB
Crossover Frequency	3,000 Hz	3,000 Hz
Recommended Amplifier Power	50 - 200	40 - 150
High Frequency Driver	1 x 28 mm soft dome	1 x 28 mm soft dome
Low Frequency Driver/Mid-range Driver(s)	1 x 8"	1 x 6½"
Connection Input	2 x Single wire	2 x Single wire
Dimensions (Ø x D)	Ø 30.1 x 11.4 cm Ø 11.9 x 4.5 inches	Ø 26.5 x 10.2 cm Ø 10.4 x 4.0 inches
Cut-out Dimensions (Ø)	Ø 26,1 cm Ø 10.3 inches	Ø 22.3 cm Ø 8.8 inches
Weight [kg/lbs]	3.19/7.10	2.0/4.41
Finish	White	White
Accessories	Cut-out template Front grille	Cut-out template Front grille



The K-series tweeter is slightly offset compared to the center of the woofer, therefore avoiding resonant peaks in the midrange, compared to conventional coaxial driver designs.

DALI PHANTOM H



DALI PHANTOM H-60 R

The DALI PHANTOM H series is an in-wall speaker range built around traditional speaker technologies. At its core is the widely recognisable DALI woofer cone, made from a mix of paper pulp and wood fibre. This gives the cone a light, well behaved, but random structure that helps reproduce even the smallest details in the music.

The powerful low-loss magnet system delivers precision and timing to the low frequencies and the ultra-lightweight soft dome tweeter adds great resolution to the high frequencies. Together, they blend into a very coherent, highly detailed, clear and natural soundstage.

The PHANTOM H series offers true full range performance without the necessity of adding a subwoofer for bass support.



DALI PHANTOM H-120

The unique PHANTOM H-120 in-wall loudspeaker brings the best from a traditional big floor standing loudspeaker, but mounted in your wall.

With an unprecedented 12" woofer to deliver deep and powerful bass, and a separate 5" woofer to handle the important mid-range area, this 3-way speaker delivers like no other in-wall loudspeaker in its class.

Perfect for installations where normal floor-standing speakers or an external subwoofer cannot be used, or when deep, room filling bass is essential.



DALI PHANTOM H-80

The PHANTOM H-80 is the loudspeaker of choice, when large, dynamic and well-defined sound really matters. The sound performance is clear, detailed and yet controlled and powerful.

As for the soundstage, it will extend into every corner of even larger rooms.



DALI PHANTOM H-80 R

The H-80 R adds a new design flavour to the original H-series: a more traditional rectangular driver layout.

Like the square-shaped H-80, the H-80 R has a wood fibre woofer and an MDF baffle for the kind of resonance damping normally associated with box loudspeakers.





DALI PHANTOM H-60

The PHANTOM H-60 is the loudspeaker of choice, when large, dynamic and well-defined sound really matters. The sound performance is clear and detailed, yet controlled and powerful.

As for the soundstage, it will extend into every corner of even larger rooms.



DALI PHANTOM H-60 R

The H-60 R features the same 6.5" wood fibre woofer and soft dome tweeter as the H-60, but in a rectangular driver layout, to give you an extra design option for your system.



DALI PHANTOM H-50

The compact PHANTOM H-50 delivers impressive clarity, and despite its size, it manages to generate a great deal of bass. It will easily fill small rooms with great sound in a stereo or surround setup.

The PHANTOM H-50 is equipped with a 5.25" woofer and designed for optimum in-wall use, but can also be mounted in the ceiling.

DALI PHANTOM M



The PHANTOM M series lets you enjoy a high quality audio performance from compact build-in speakers more than capable of filling a room - discreetly hidden away within your walls.

The PHANTOM M-250 and M-375 feature proven technology, decades of experience and many of the virtues from our reference PHANTOM S series.

The PHANTOM M series presents a discreet compact appearance at a more affordable price point.

These slender speakers have been developed with multi-channel in mind and is equally suited for front, center or surround positioning. Adhering to DALI's long-standing principles of sound design, these speakers will also work perfectly in a traditional stereo setup - with or without a subwoofer.

The M series is 100% designed and engineered in-house - and manufactured at our own factory.





DALI PHANTOM M-375

The PHANTOM M-375 has a SMC-based active 7" wood fibre woofer paired with two passive drivers. Thus, port noise associated with reflex ports is avoided. A "flat" cone geometry allows for more cabinet volume.

High frequencies are handled by the DALI hybrid tweeter, pairing a ribbon tweeter with a 28mm soft dome for the ultimate in wide dispersion.



DALI PHANTOM M-250

The PHANTOM M-250 utilises two 5.25 inch SMC-based wood fibre woofers, designed with a "flat" cone geometry for increased cabinet volume.

The 28mm soft dome tweeter is optimised for a larger bandwidth in its lower frequency area, which ensures optimal handover between woofers and tweeter, creating a well-balanced, unforced and very coherent upper midrange.



The PHANTOM M series features a discreet and paintable front grille, allowing you to customise the visible area to suit your interior.

The very shallow grille attaches magnetically to the baffle of the speaker, making them easy to remove.

DALI PHANTOM	M-375	M-250
Frequency Range +/- 3 dB	57 - 25,000 Hz	58 - 24,000 Hz
Sensitivity (2.83V/1m)	89 dB	89 dB
Nominal Impedance	6 ohm	6 ohm
Maximum SPL	107 dB	107 dB
Crossover Frequency	2,500 / 15,000 Hz	2,700 Hz
Recommended Amplifier Power	30 - 180 Watt	30 - 180 Watt
High Frequency Driver	1 x 28 mm soft dome 1 x 17 x 45 mm ribbon	1 x 28 mm soft dome
Low Frequency Driver/	1 x 7" Wood Fibre Cone	2 x 5.25" Wood Fibre Cone
Connection Input	Single Wire	Single Wire
Enclosure type	Passive Radiator Box 2 x 7" Slave	Vented Box, 2 x port
Recommended Placement	Front/Centre/Rear/ Surround	Front/Centre/Rear/ Surround
Dimensions (H x W x D)	775 x 250 x 106 mm 30.5 x 9.8 x 4.1 inches	775 x 250 x 106 mm 30.5 x 9.8 x 4.1 inches
Cut-out Dimensions (H x W x D)	751 x 226 x 100 mm 29.6 x 8.9 x 3.9 inches	751 x 226 x 100 mm 29.6 x 8.9 x 3.9 inches
Weight	8.7 kg/19.2 lbs	8.45 kg/18.6 lbs
Finish	White Lacquer Grille	White Lacquer Grille
Accessories	Manual, Cut-out Template, Allen Key bit	Manual, Cut-out Template, Allen Key bit

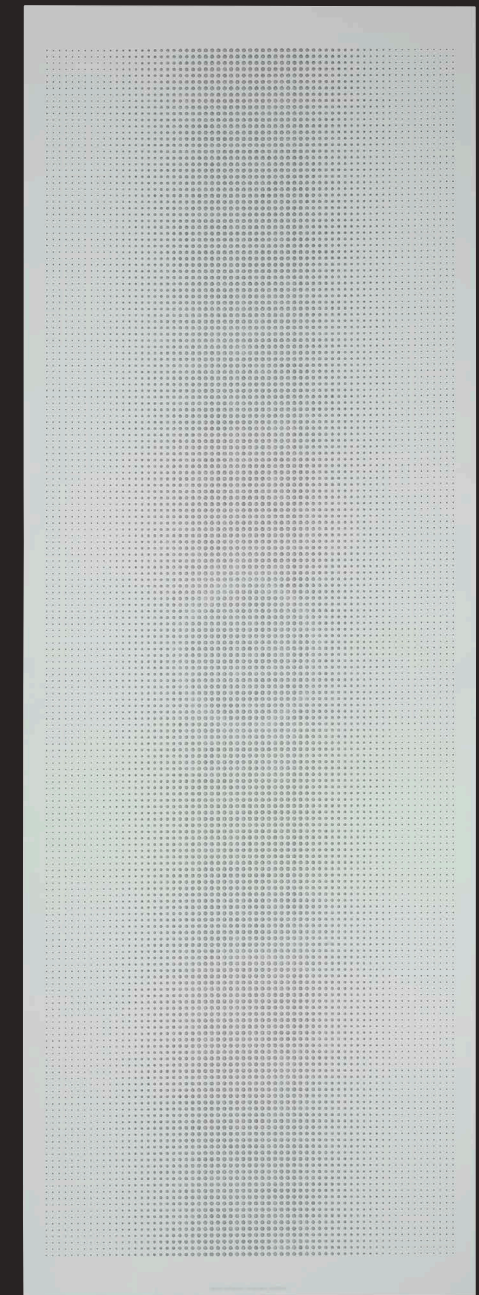
DALI PHANTOM S



The DALI PHANTOM S series offers the ultimate no-compromise in-wall audio solution. With the use of proven speaker technologies, such as solid MDF front baffle, wood fibre cones, low-loss surround, and superior magnet design combined with our latest innovations, including SMC pole piece and our signature hybrid tweeter module, the PHANTOM S series really stands out from the crowd.

The primary 8" woofer is optimised for both bass and mid-range performance, and to ensure the best possible bass performance with the two larger models in the series, we have paired each 8" woofer with a 10" passive woofer. This results in a full frequency response similar to that of a boxed floor standing speaker.

The ultra slim cabinet design fits into almost any standard wall. All models are built around a rotatable hybrid tweeter module making them easy to install for any audio use – be it stereo, centre channel or surround.





DALI PHANTOM S-280

The S-280 is truly a flagship in-wall speaker. This impressive unit combines an optimised rotatable hybrid tweeter module with two 8" bass/mid-range woofers and two 10" passive drivers. Clean, coherent, detailed, powerful and room filling sound is what this speaker is all about.

If you are looking for a no compromise performance in an in-wall speaker, the PHANTOM S-280 delivers!



DALI PHANTOM S-180

The S-180 combines the 8" primary woofer with a larger 10" passive driver. This combination enables the PHANTOM S-180 to reach even deeper down into the lower frequencies and reproduces the audio signals on par with a traditional floor standing speaker.

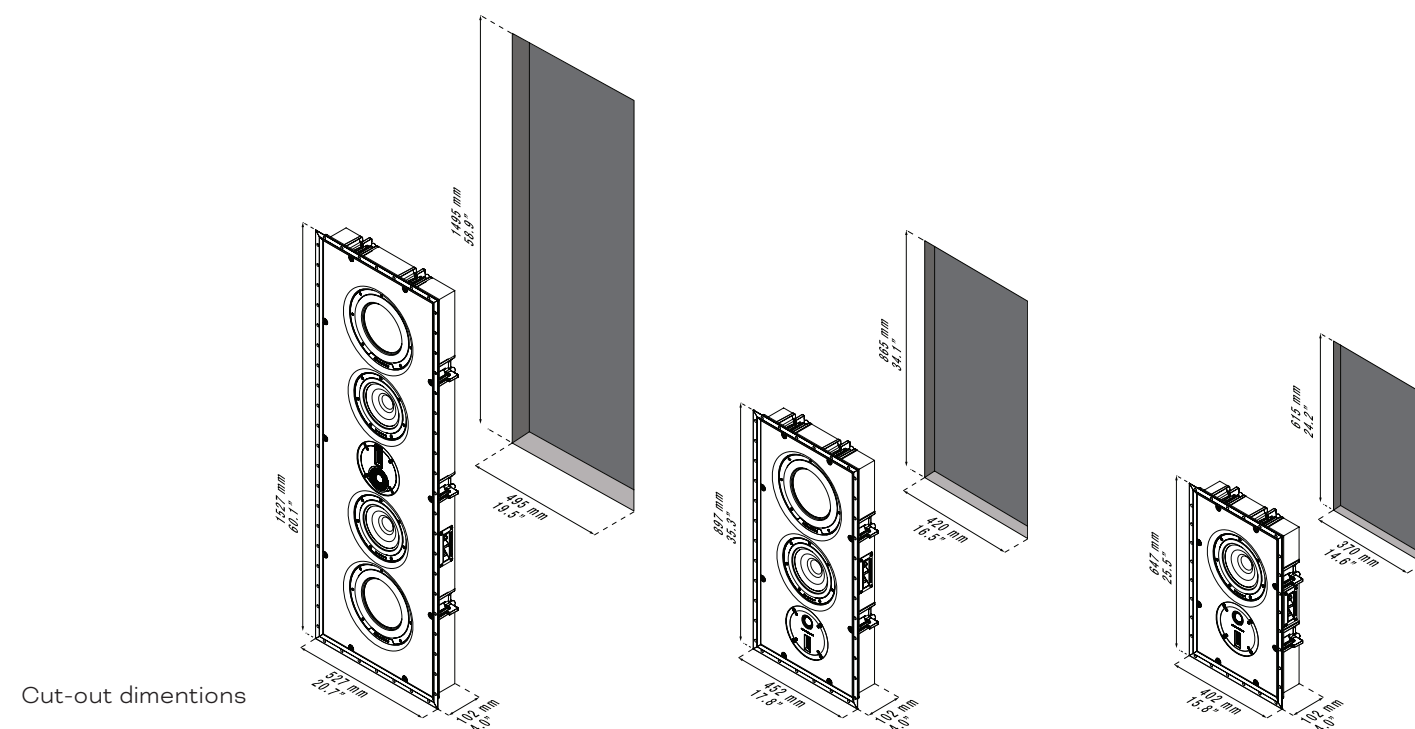
Despite this, it is still a compact speaker that is just as perfect as a front or centre speaker in your audio system.



DALI PHANTOM S-80

Compact yet powerful, with its 8" bass/mid-range woofer working in combination with the rotatable hybrid tweeter module, the PHANTOM S-80 delivers a clear and very well defined audio reproduction, with a surprising bass performance.

The compact size of the PHANTOM S-80 makes it perfect for placement in your audio system - front, centre, rear or height speakers.



DALI PHANTOM	S-280	S-180	S-80
Frequency Range +/- 3 dB	48 - 25,000 Hz	49 - 25,000 Hz	59 - 25,000 Hz
Sensitivity (2.83V/1m)	89 dB	89 dB	88 dB
Nominal Impedance	8 ohm	6 ohm	6 ohm
Maximum SPL	112 dB	109 dB	108 dB
Crossover Frequency	3,000 / 15,000 Hz	2,800 / 15,000 Hz	2,800 / 15,000 Hz
Crossover Principle	2 1/2-way	2 1/2-way	2 1/2-way
Recommended Amplifier Power	40 - 400 Watt	40 - 200 Watt	40 - 200 Watt
High Frequency Driver	1 x 29 mm soft dome 1 x 17 x 45 mm ribbon	1 x 28 mm soft dome 1 x 17 x 45 mm ribbon	1 x 28 mm soft dome 1 x 17 x 45 mm ribbon
Low Frequency Driver/ Mid-range Driver(s)	2 x 8" Wood Fibre Cones	1 x 8" Wood Fibre Cone	1 x 8" Wood Fibre Cone
Enclosure type	Passive Radiator Box 2 x 10"	Passive Radiator Box 1 x 10" Slave	Closed Box
Connection Input	Single wire	Single wire	Single wire
Dimensions (with grille) (H x W x D)	153.7 x 53.7 x 10.6 cm 60.51 x 21.14 x 4.17 inches	90.7 x 46.2 x 10.6 cm 35.7 x 18.2 x 4.2 inches	65.7 x 41.2 x 10.6 cm 25.9 x 16.2 x 4.2 inches
Cut-out Dimensions (H x W X D)	149.5 x 49.5 x 10.3 cm 58.9 x 19.5 x 4 inches	86.5 x 42.0 x 10.3 cm 34.1 x 16.5 x 4 inches	61.5 x 37.0 x 10.3 cm 24.2 x 14.6 x 4 inches
Weight	35.0 kg/77.2 lbs	18.5 kg/40.8 lbs	13.5 kg/29.8 lbs
Accessories	Manual, Cut-out Template, Allen Key	Manual, Cut-out Template, Allen Key	Manual, Cut-out Template, Allen Key



On-wall frames

For a less intrusive installation, PHANTOM M and S-series speakers can be mounted in on-wall frames.



IN ADMIRATION OF MUSIC