



The **KL PANEL™** is a full-color-spectrum LED soft light providing high output, precise color temperature, full spectrum color rendering and even washes. Optimized for the tunable white light requirements of Film and Television, it is an ideal key and fill light source for many situations requiring outstanding performance and color quality.

The KL PANEL incorporates a highly efficient 6-in-1 LED package that produces up to 16,000 field lumens. Compact and portable, the fixture can be mounted on stands or suspended using the included Junior pin or any regular clamp. It is fully self-contained without the need for external power supplies.

KL Panel

The KL Panel can be operated from industry standard DMX, Art-NET or sACN protocols, or can be adjusted fully standalone from the included encoders for instant access to Intensity, Color and other important settings right from the OLED display and encoders. The display and encoders are positioned for easy access while the KL Panel is mounted on a stand.

Multiple protocol and control options provide fast and efficient operation in any situation. Direct control, remote DMX or Ethernet connections, as well as Elation's E-FLY™ wireless system, allow for flexibility of use.



FEATURES

- 295W RGBWLC (Red, Green, Blue, White, Lime, Cyan) LED Array
- CRI 95, CCT Adjustment from 2,000 to 10,000K
- 24,000 Total Lumen Fixture Output
- Internal Power Supply with Power Pass-Through
- 24-36 VDC Battery Operation (battery not included)
- DMX/RDM, Art-Net and sACN Protocol Support
- E-FLY™ Internal Extended Range Wireless DMX Transceiver
- Stand-Alone Control with 3 Encoders and OLED Display
- Barn Doors, Diffuser, and Junior Pin (1 1/8" - 28mm) included

PRODUCT SPECIFICATIONS

SOURCE

6-in-1 (Red, Green, Blue, White, Lime, Cyan) Full Spectrum LED Array
 50,000 Hour Average LED Life*

*Test lab conditions. May vary depending on several factors including but not limited to: Environmental Conditions, Power Voltage, Usage Patterns (On-Off Cycling), Control, and Dimming.

PHOTOMETRIC DATA

up to 24,000 Total Lumen Output

Diffuser

Beam Angle 101°

Field Angle 159.4°

Without Diffuser

Beam Angle 111°

Field Angle 155.4°

EFFECTS

Variable CCT 2,000K - 10,000K

Green-Shift Adjustment

Virtual Gel Library

Variable 16-bit Dimming Curve Modes

High Speed Electronic Shutter and Strobe

Remote Adjustable LED Refresh Rate Frequency (900-25kHz)

CONTROL / CONNECTIONS

9 DMX Channel Modes

3 Manual Adjustment Encoders

4 Button Control Panel and OLED Menu Display

DMX, RDM, Art-NET, sACN Protocol Support

E-FLY™ Internal Extended Range Wireless DMX Transceiver

Locking 5pin XLR Connector In/Out

Locking IP65 Power Connector In/Out

USB Connection (Firmware Updates, External 5V power for accessories)

4pin XLR External Battery Connection (battery not included)

With Wired Digital Communication Network

SIZE / WEIGHT

Length: 20.8" (528mm)

Width: 5.5" (140mm)

Height: 12.2" (310mm)

Height (with yoke): 16.3" (415.2mm)

Weight: 28.6 lbs. (13 kg)

Weight: (without barn door) 23.2 lbs. (10.52 kg)

Weight: (Junior Pin) 1.02 lbs. (0.46 kg)

ELECTRICAL / THERMAL

AC 100-240V - 50/60Hz

24-36 VDC (battery operation - battery not included)

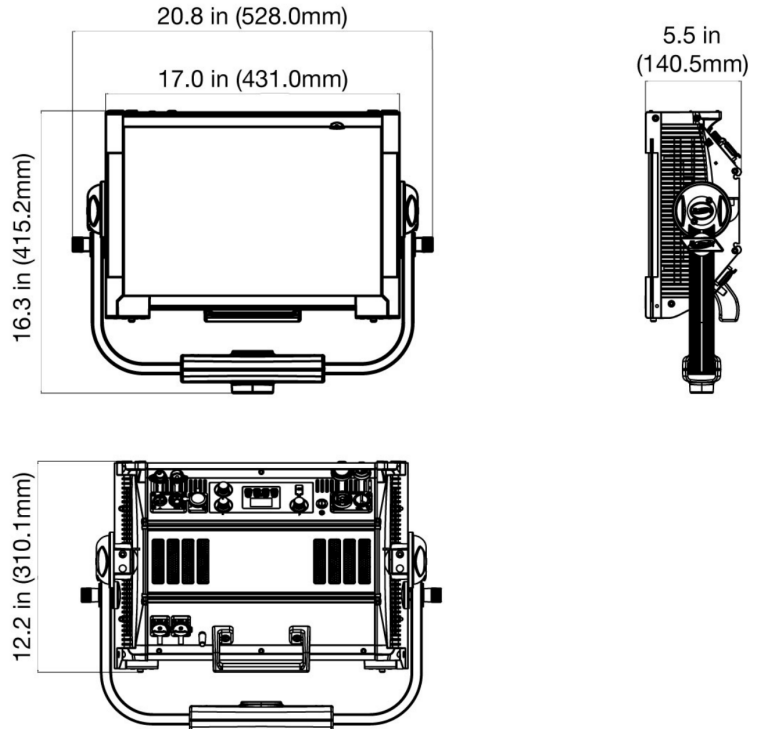
Max Power Consumption 295W

14°F to 113°F (-10°C to 45°C)

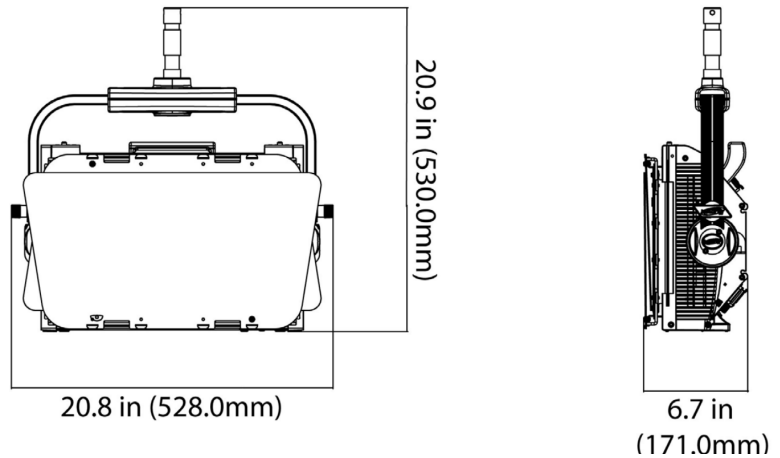
APPROVALS / RATINGS

CE | cETLus (pending) | IP20

DIMENSIONAL DRAWINGS (FIXTURE ONLY)



DIMENSIONAL DRAWINGS (WITH BARN DOOR & JUNIOR PIN)



ORDERING INFORMATION

SKU (USA)	SKU (EU)	Description
KLP001	1237000224	KL Panel

*DRAWINGS NOT TO SCALE

