

P 8015S

OUTDOOR/INDOOR SUBWOOFER

DESCRIPTION

P8015-S is a weatherproof bass reflex subwoofer equipped with a 15" low frequency neodymium transducer with 4" voice coil offering enough power and efficiency for a variety of professional outdoor or indoor applications. The P8015-S has been specifically designed to reinforce sub bass frequencies in P Series speakers array systems.

The cabinet is a single piece rotational moulded in medium density polyethylene, fully UV protected. The cabinet is equipped with 12 x M10 brass inserts, a stainless steel U-Bracket and pair of spacers for 90° mounting. The front logo is in aluminium with open-cell fibres and water repellent fabric backing. The P8015-S is suitable for indoor and outdoor applications/installations, they meet the requirements of IP55 standard (International Protection Rating).



FEATURES

- 800 W AES
- Waterproof cabinet IP55
- Aluminium grille and stainless steel bracket
- Arrayable bass-reflex compact subwoofer
- 132 dB max SPL
- 15" high power neodymium woofer with 4" voice coil

TECHNICAL SPECIFICATIONS

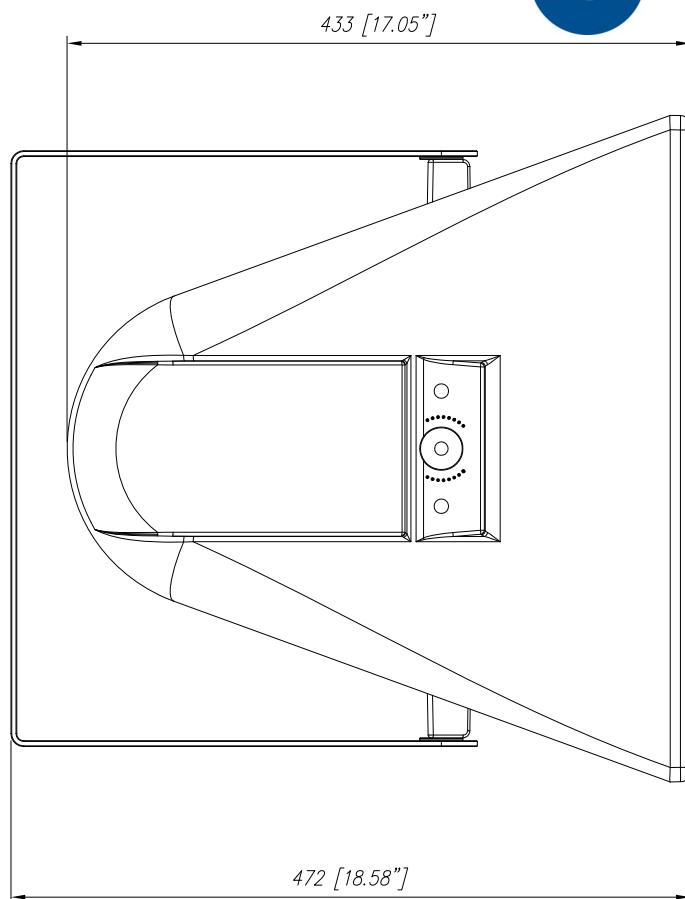
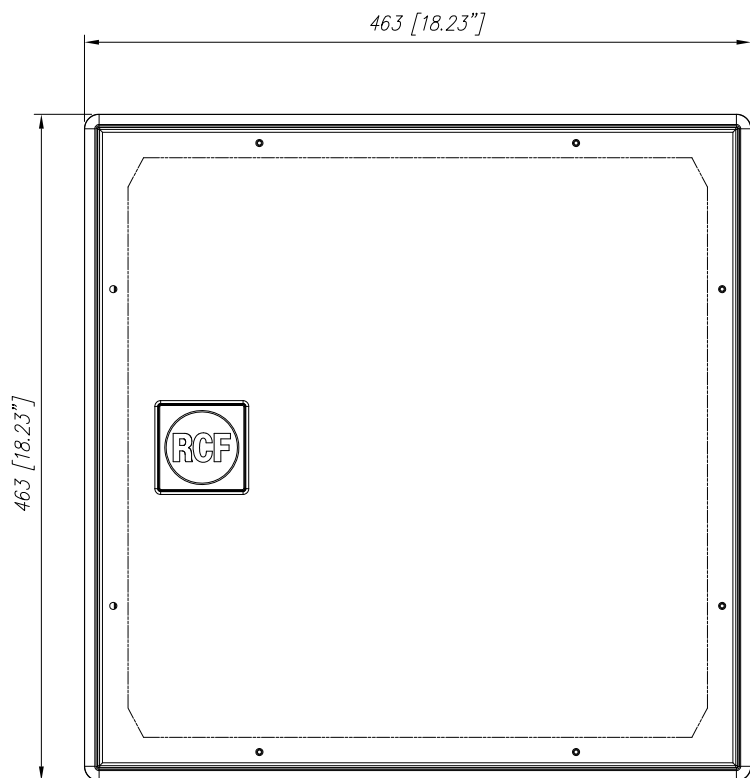
| | | |
|----------------------------------|-----------------------------|--|
| Acoustical specifications | Frequency Response (-10dB): | 50 Hz ÷ 200 Hz |
| | Max SPL @ 1m: | 132 dB |
| | System Sensitivity: | 97 dB |
| Power section | Nominal Impedance (ohm): | 8 ohm |
| | Power Handling: | 800 W RMS |
| | Peak Power Handling: | 3200 W PEAK |
| | Recommended Amplifier: | 1600 W |
| Transducers | Woofers: | 15" neo, 4.0" v.c |
| | Nominal Impedance (ohm): | 8 ohm |
| | Sensitivity: | 97 dB, 1W @ 1m |
| Input/Output section | Input connectors: | Neoprene Cable |
| Standard compliance | IP protection grade: | IP 55 |
| | CE marking: | Yes |
| Physical specifications | Cabinet/Case Material: | PE Low Density |
| | Hardware: | 12 x M10 + U bracket and pair of spacers |
| | Grille: | Aluminum with waterproof clothing |
| | Color: | Black |
| Size | Height: | 463 mm / 18.23 inches |
| | Width: | 463 mm / 18.23 inches |
| | Depth: | 433 mm / 17.05 inches |
| | Weight: | 16.5 kg / 36.38 lbs |
| Shipping informations | Package Height: | 519 mm / 20.43 inches |
| | Package Width: | 489 mm / 19.25 inches |
| | Package Depth: | 489 mm / 19.25 inches |
| | Package Weight: | 21.5 kg / 47.4 lbs |

PART NUMBER

- **13000230**

P 8015S

EAN 8024530008819



P3115
P6215
P8015

