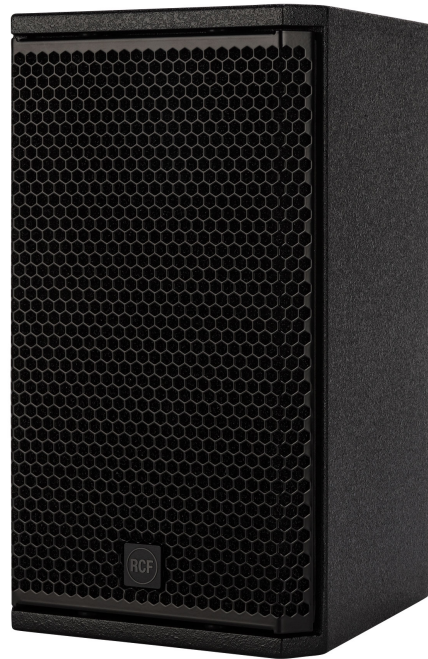


COMPACT M 06

TWO-WAY PASSIVE SPEAKER

DESCRIPTION

COMPACT M 06 is a multipurpose two-way full-range speaker system, suitable for a wide range of applications. Its balanced sound is a big asset in near-field applications for the best intelligibility. The M 06 features high sensitivity, typical of professional audio cabinets thanks to the use of oversized magnets and a HI-FI sound quality, with smooth and wide frequency response, thanks to the wave-guided neodymium dome tweeter. The SPL level of low-distortion audio the M 06 can provide goes far beyond expectations of such a compact solution. The elegant and compact design with accurate finishing makes M 06 suitable for almost any environment, even with architectural constraints. Optional mounting accessories allow using M 06 on wall or ceiling installations.



FEATURES

- 100 W RMS power handling
- 116 dB max SPL
- 60 ÷ 20000 Hz frequency range
- 120° x 80° constant directivity coverage angle
- 1 x 6" high power woofer
- 1 x 1" voice coil neodymium dome tweeter
- High quality plywood cabinet
- Steel front grille with clothing
- Installation points available on rear, top and bottom panels
- 4 pole EUROBLOCK connector (audio input and parallel link output)

TECHNICAL SPECIFICATIONS

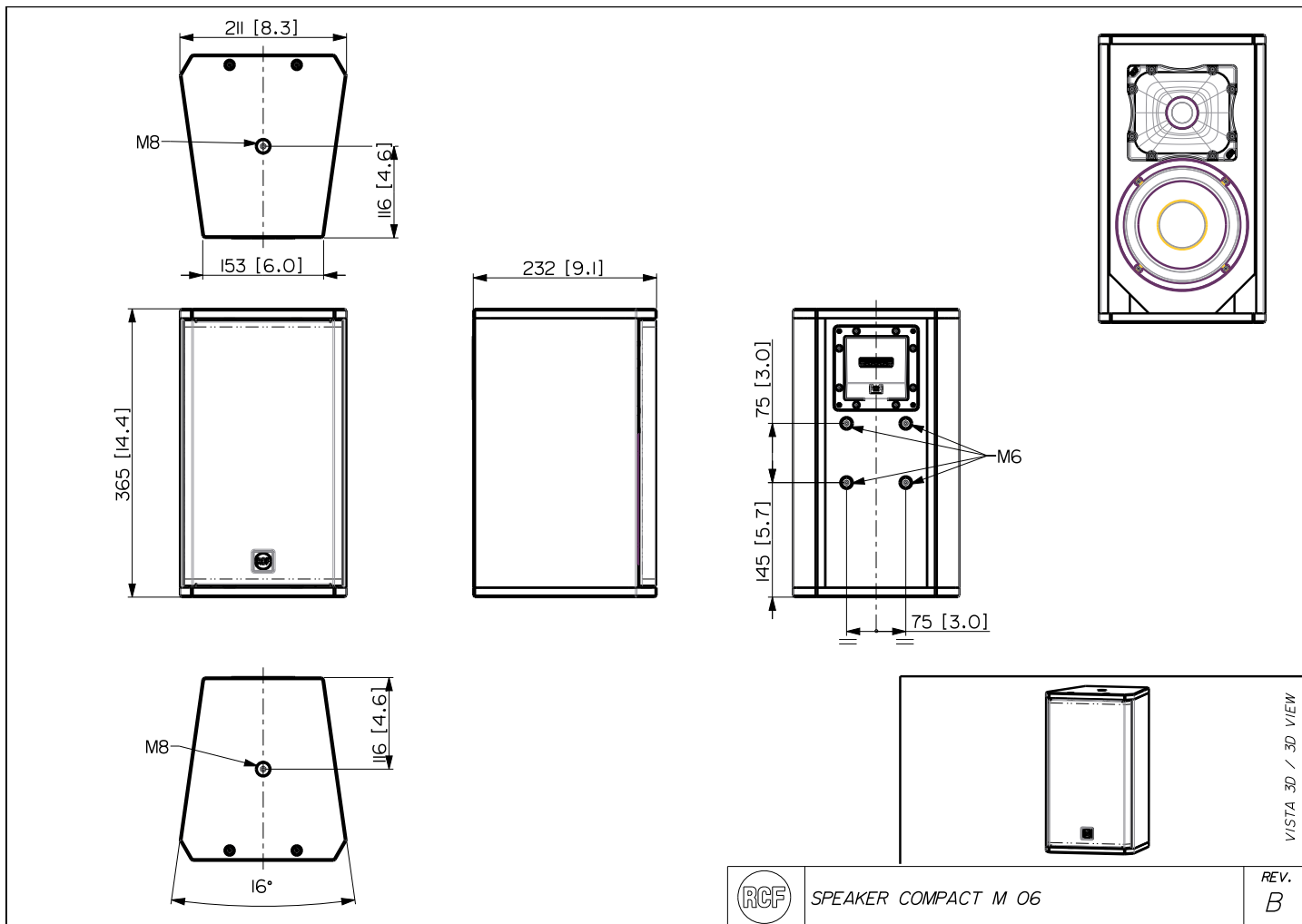
| | | |
|----------------------------------|-----------------------------|--------------------------------|
| Acoustical specifications | Frequency Response (-10dB): | 60 Hz ÷ 20000 Hz |
| | Max SPL @ 1m: | 116 dB |
| | Horizontal coverage angle: | 120° |
| | Vertical coverage angle: | 80° |
| | Directivity index Q: | 7 |
| | System Sensitivity: | 90 dB |
| Power section | Nominal Impedance (ohm): | 8 ohm |
| | Power Handling: | 100 W RMS |
| | Peak Power Handling: | 400 W PEAK |
| | Recommended Amplifier: | 200 W |
| | Protections: | Dynamic active mosfet |
| | Crossover Frequencies: | 2200 Hz |
| Transducers | Dome Tweeter: | 1.3" neo, 1.0" v.c |
| | Nominal Impedance (ohm): | 8 ohm |
| | Input Power Rating: | 15 W AES, 30 W PROGRAM POWER |
| | Sensitivity: | 92 dB, 1W @ 1m |
| | Woofer: | 6.0", 1.5" v.c |
| | Nominal Impedance (ohm): | 8 ohm |
| | Input Power Rating: | 100 W AES, 200 W PROGRAM POWER |
| Sensitivity: | 90 dB, 1W @ 1m | |
| Input/Output section | Input connectors: | Euroblock |
| | Output connectors: | Euroblock |
| Standard compliance | CE marking: | Yes |
| Physical specifications | Cabinet/Case Material: | Plywood |
| | Hardware: | 4 x M6, 2 x M8 |
| | Grille: | Steel with clothing |
| | Color: | Black - RAL 9005 |
| Size | Height: | 365 mm / 14.37 inches |
| | Width: | 211 mm / 8.31 inches |
| | Depth: | 232 mm / 9.13 inches |
| | Weight: | 5.5 kg / 12.13 lbs |
| Shipping informations | Package Height: | 386 mm / 15.2 inches |
| | Package Width: | 256 mm / 10.08 inches |
| | Package Depth: | 235 mm / 9.25 inches |
| | Package Weight: | 7 kg / 15.43 lbs |



PART NUMBER

- **13000721**
COMPACT M 06 W
White - RAL 9003

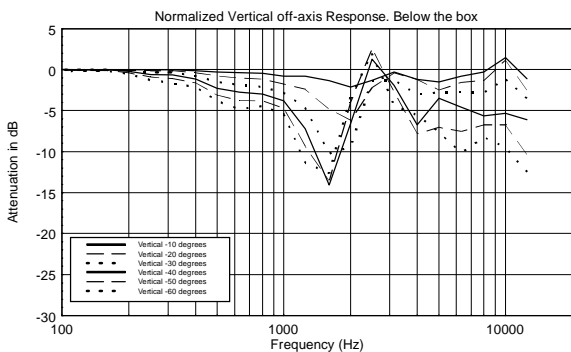
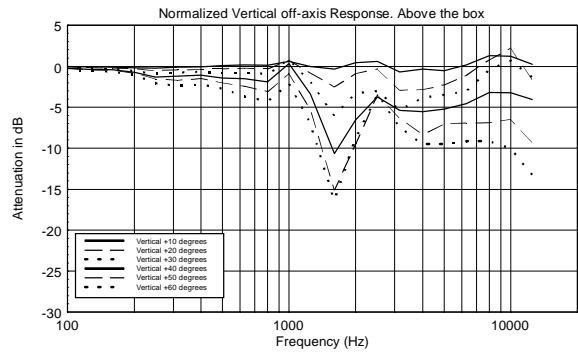
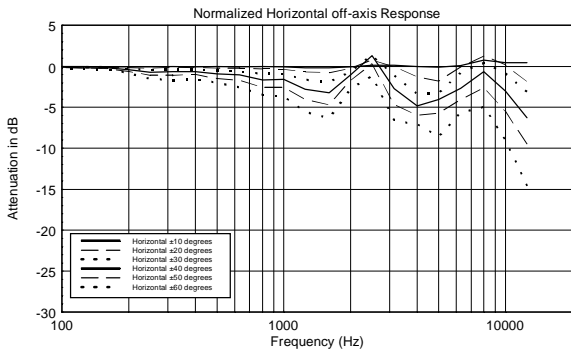
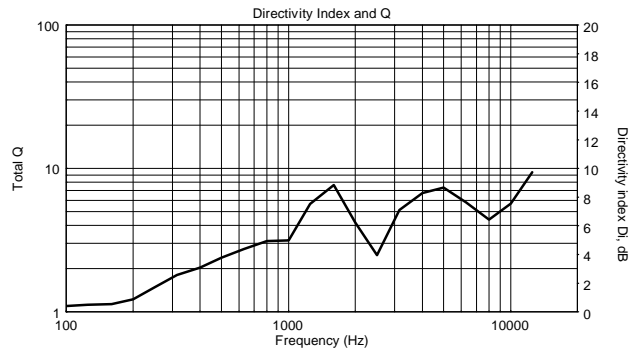
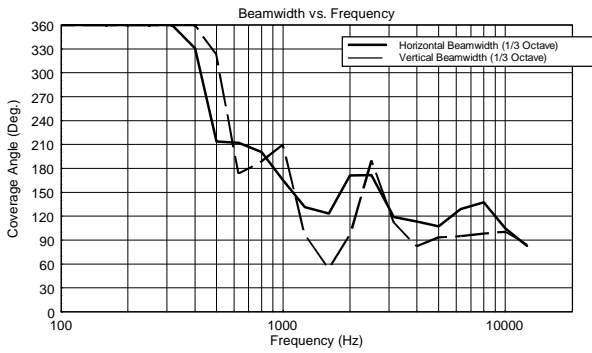
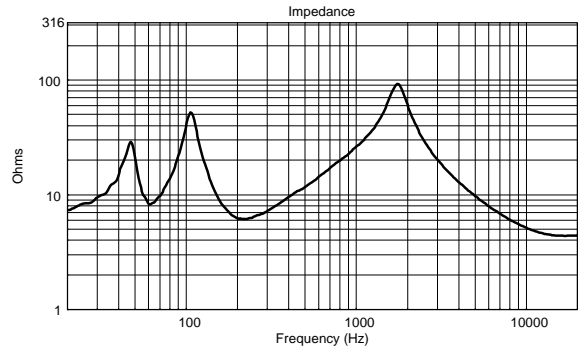
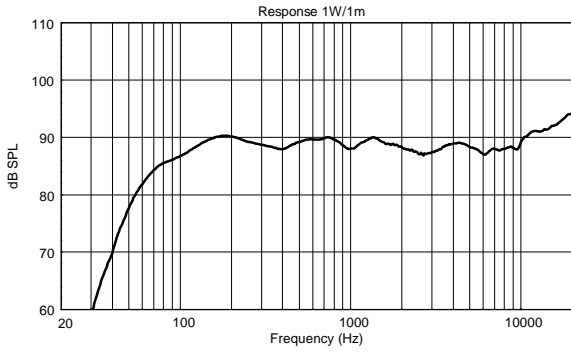
- **13000582**
COMPACT M 06
Black - RAL 9005
EAN 8024530017781

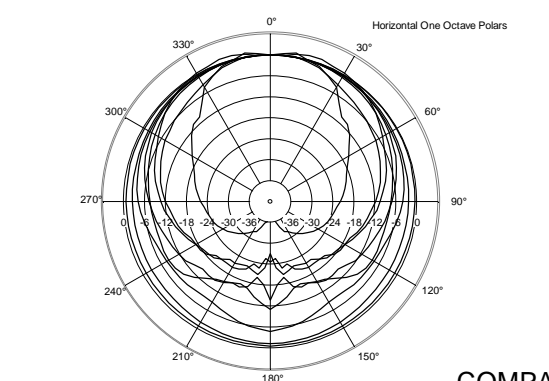
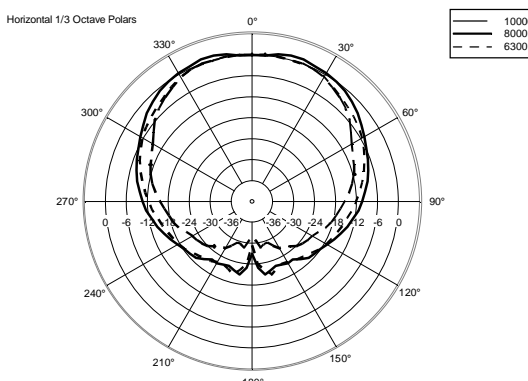
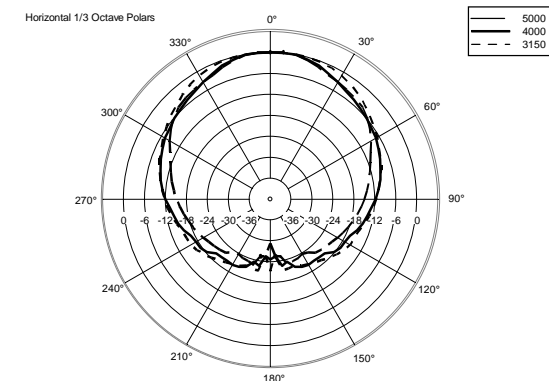
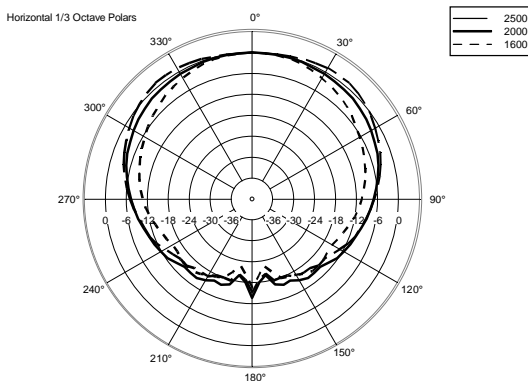
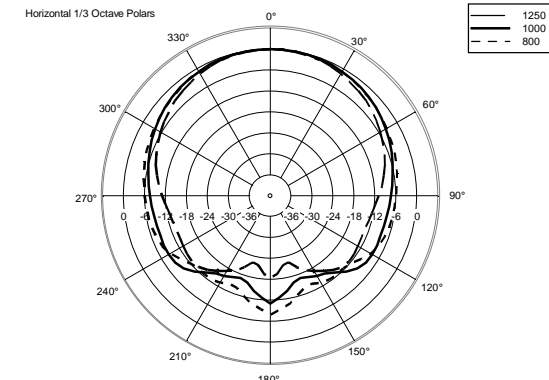
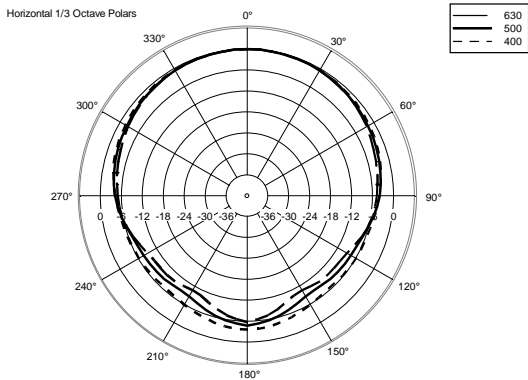
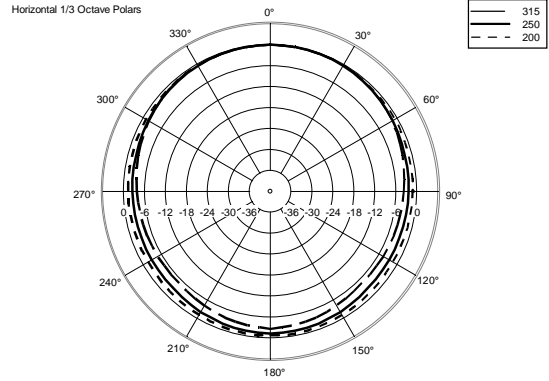
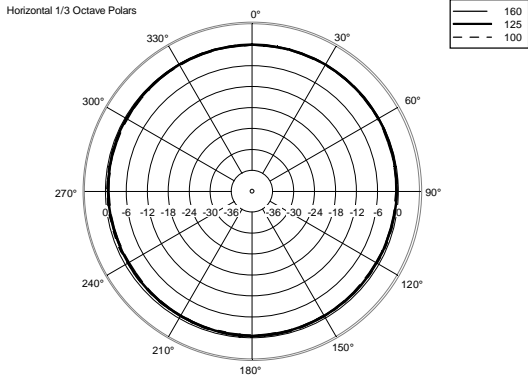


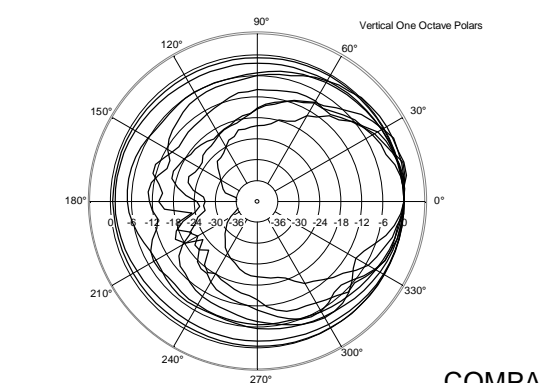
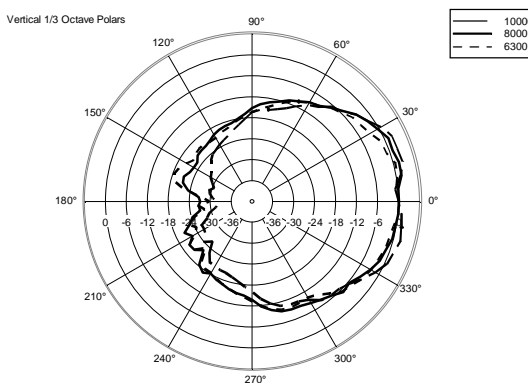
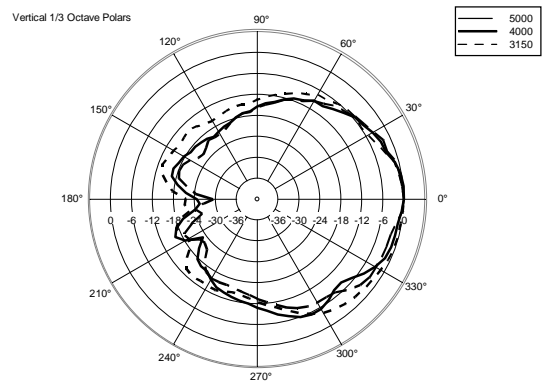
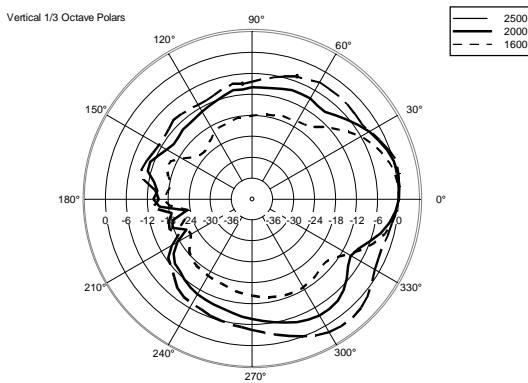
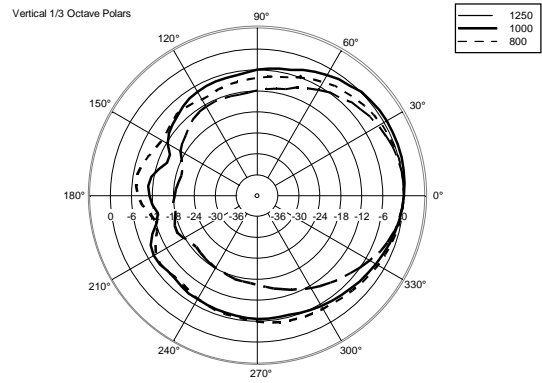
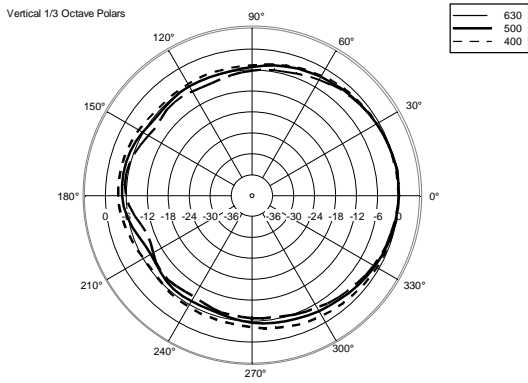
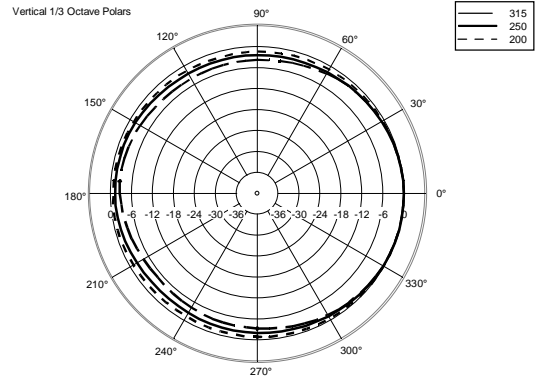
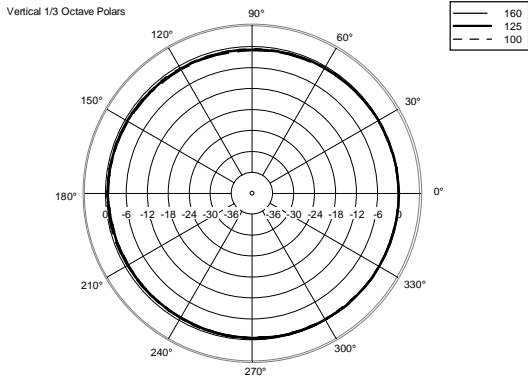
SPEAKER COMPACT M 06

REV.
B

VISTA 3D / 3D VIEW







ACCESSORIES

HORIZONTAL BRACKET H-BR 2X COMPACT M 06

PART NUMBER

13360461

EAN:



PANEL PNL IN-OUT SPEAKON

PART NUMBER

12399062

EAN:

8024530018733

WALL MOUNT BRACKET SWM-BR COMPACT M

PART NUMBER

13360449

EAN:

8024530017842